



PRODUCT INFORMATION

V28



# V28

# space system

## The highlight of the **V28 space system** at a glance:

### 1) Product description

Open space (office) layouts require distinctive zones for concentrated work, team work, meetings, telephone conversations and privacy. Besides enabling this zoning, V28 offers a variety of layout possibilities and an attractive price-performance ratio and allows to organise your personal workstation to your specific needs.

### 2) Strong offering with optimum acoustic performances

A multitude of V28 Screen, Board and Organizer variants facilitates a functional workstation layout. The different organisation tools offer creative solutions for an individual workspace accommodation. A particularity: With a planar absorber level of 0,9, V28 also stands for optimum acoustic performances.

### 3) Minimalist and timeless design

Space system V28 is engineered around a filigree and discreet aluminium profile, the visible surface of which is reduced to a minimum. The stringent layout as well as the rounded corner details result in a timeless product design.

### 4) Easy assembly and handling

The integration of screwless connection methods allow speedy assembly of the V28-elements – avoiding the use of frictional connections. The nearly tool-free assembly of the components not only guarantees a reduction of the assembly time but also of the assembly and labour costs. As a result, the V28 space system can easily be disassembled, completed and/or adapted.

### 5) Multiple finishes

The acoustical modules dispose of powder coated aluminium profiles which are available in a vast range of colours. Customised design requirements can be solved easily and individually.

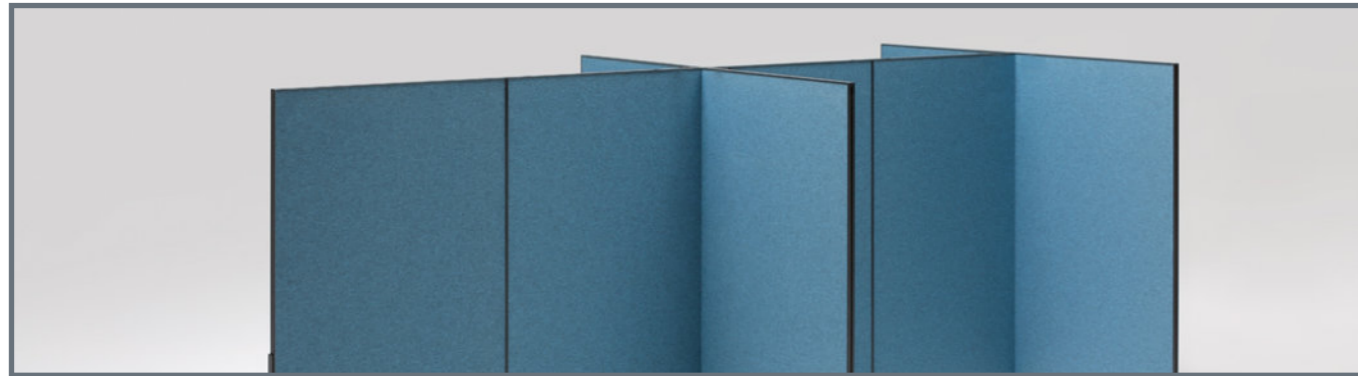
### 6) Made in Germany

All V28 components are manufactured in the Black Forest, south-west of Stuttgart, Germany.

# V28 Modular and versatile

The elegant V28 space system acts as a visual and acoustical protection. The different variants respond to the manifold application requirements.

screen



board



organizer



duo

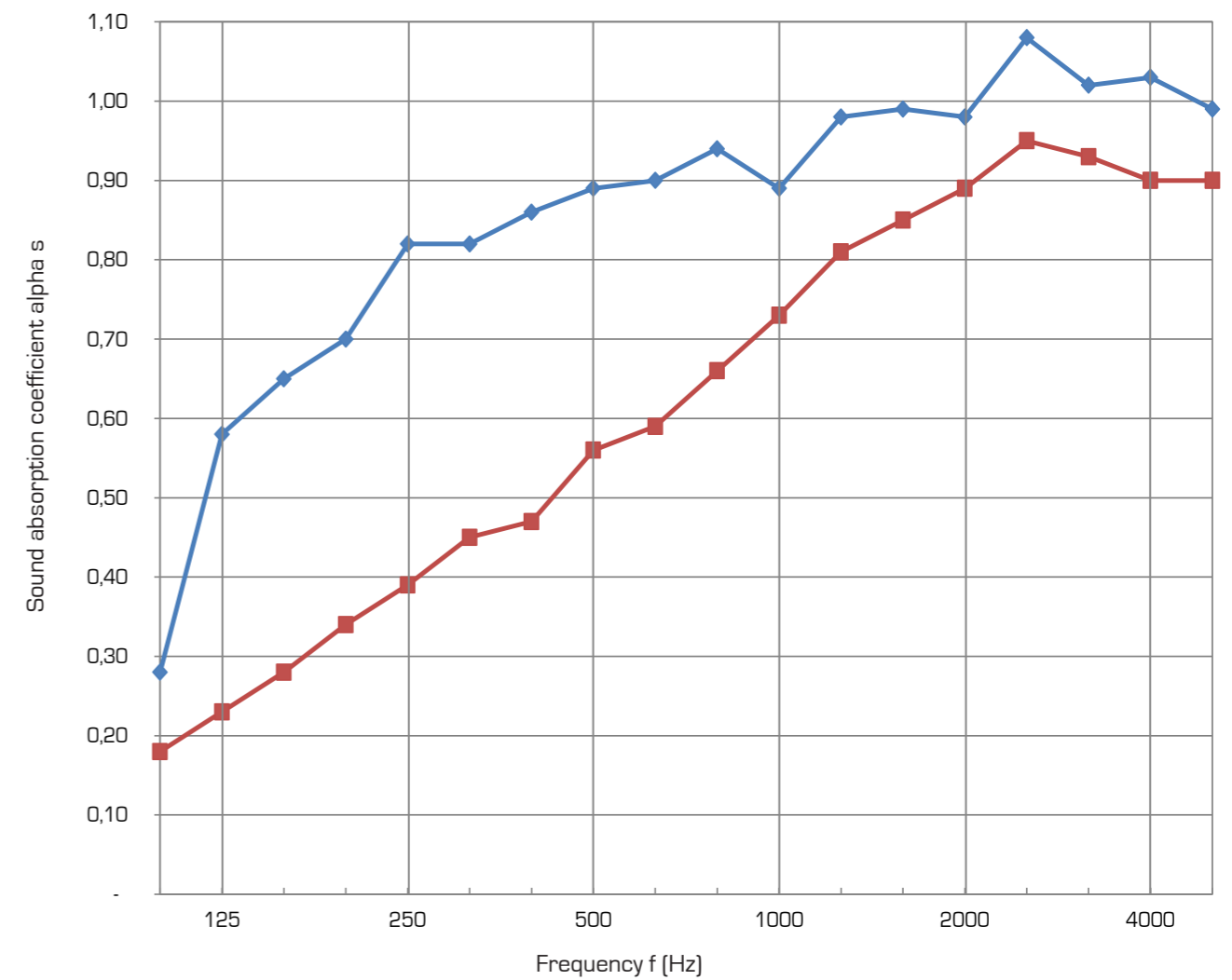


# V28 Acoustic characteristics

The V28 space system has been analysed in the testing laboratory of the Fraunhofer Institute in Stuttgart according to the latest specifications of the DIN EN ISO 354:2003 and DIN EN ISO 11654:1997 standard.

The V28 space system transforms open plan environments with poor acoustics in comfy working zones. Effectively reduce loud background noises and stimulate concentration at the workplace with V28 - as well for the individual workstation as for meeting areas. The possible application as board, organizer or screen assure optimum acoustics.

As planar absorber (—◆—), the V28 space systems obtains a class A score (aw 0,95), but also as screen (—■—) the acoustic characteristics are convincing with a class C score (aw 0,60).



# V28 Screen

Immediately after installation of a V28 Screen arrangement, the acoustic effect on the environment is noticeable and improved working conditions are guaranteed.



Ending unit



1) Stabilising foot



2) Leg base



3) Levellers

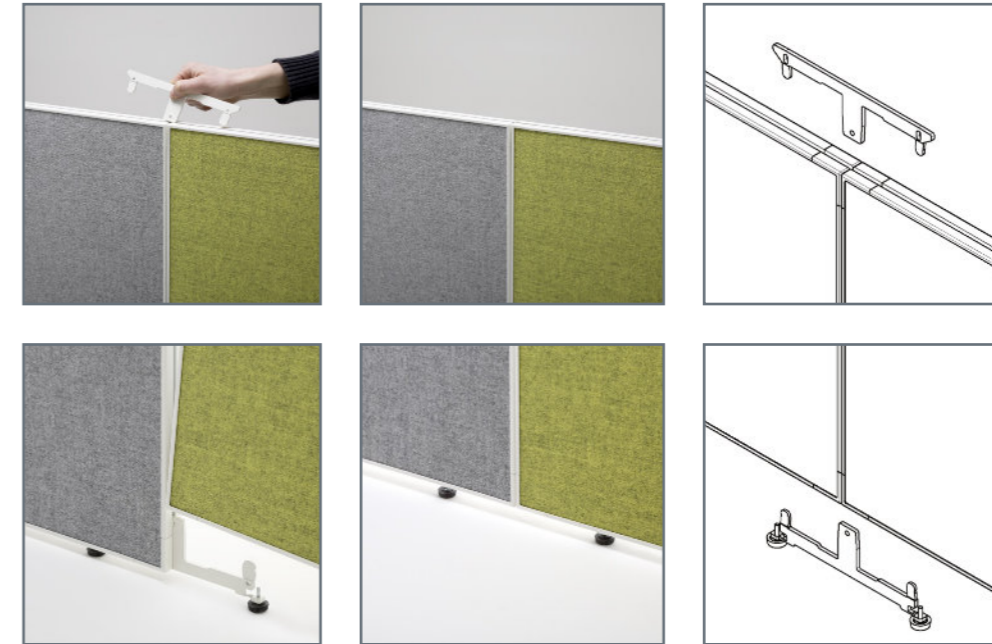
Connection units



1) Leg base

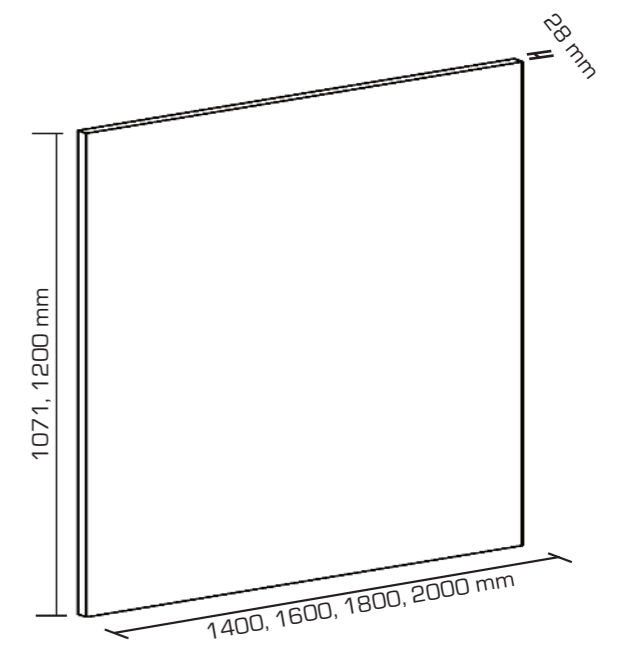
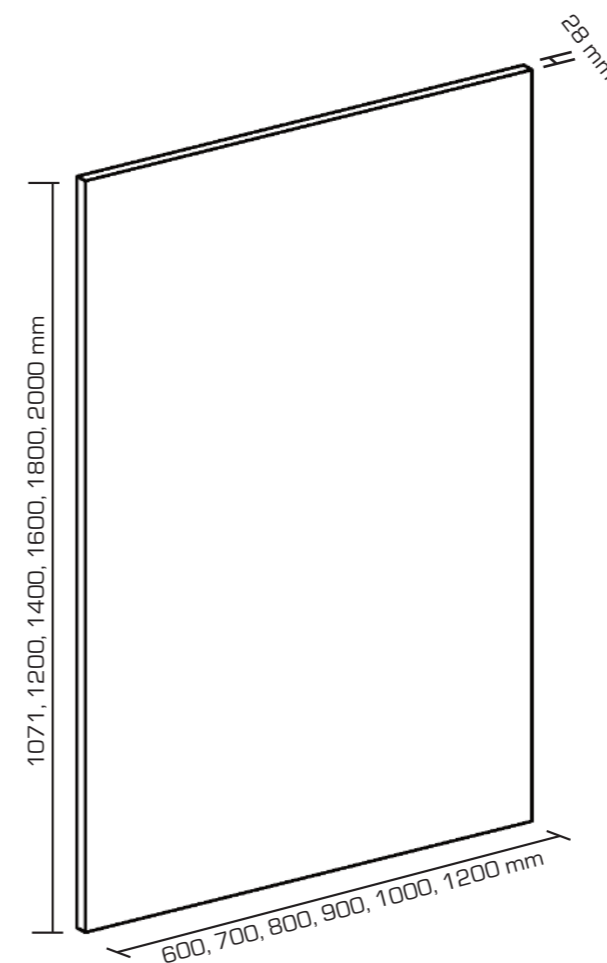


2) Levellers



Quick and easy assembly was an essential aspect of the V28 Screen design. The tool-free connector range guarantees a quick assembly and disassembly of the screens.

## Technical product specifications



# V28 Board

In order to create a pleasant working environment, everyday disruptive noises can be masked by the targeted application of the V28 elements.



Easy and comfy integration to the workplace. The V28 Board is clamped on the desk top and facilitates intimacy and organisation at the workplace. With an overall height of 348 mm, the V28 board complies with the DIN EN ISO 16534 standard.

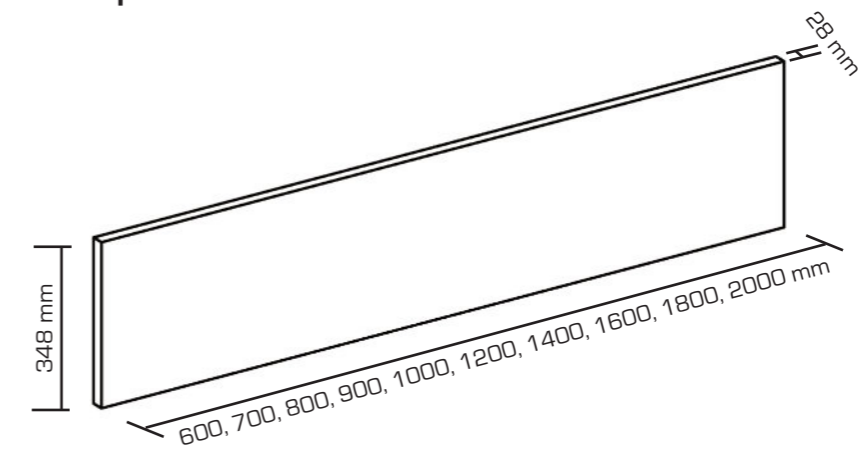
### Assembly in a jiffy

The V28 Board simply slides on the table clamp plug-in brackets. The clamps are fastened to the desk top with clamping screws (one per clamp).

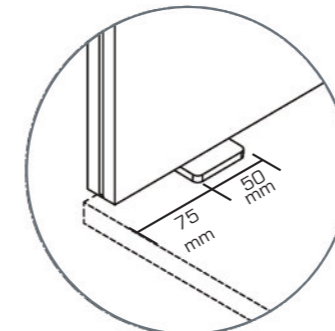


A vast choice of powder coating and fabric colours and finishes stands for a large design scope. Leave the choice to your customers and bring colour in the office environment.

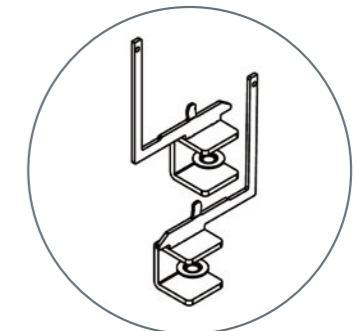
### Technical product specifications



Fixing distance for table top



Fixing clamp set for top thicknesses between 10 - 40 mm



# V28 Organizer

Facilitate the privacy of your workplace with the V28 Organizer: The direct sound is interrupted and the acoustic absorption enables a comfortable working sensation.



As a higher variant of the Board, V28 Organizer is perfectly suited for the visual masking of technical accessories under the desk top. And as the Board variant, V28 Organizer complies with the DIN EN ISO 16534 standard.

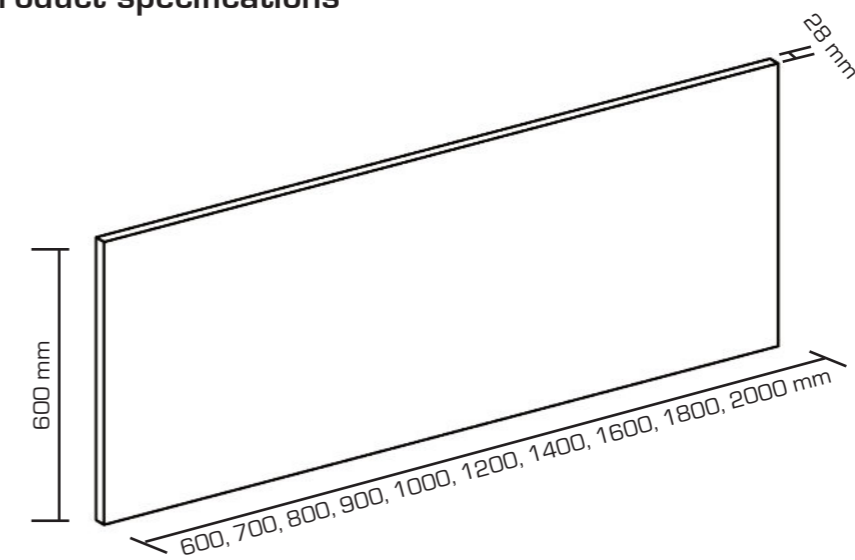
### Quick assembly

With a simple screw fitting (2 screws per clamp), the fixing clamps are fixed to the V28 Organizer. The clamps are fastened to the desk top with clamping screws (one per clamp).

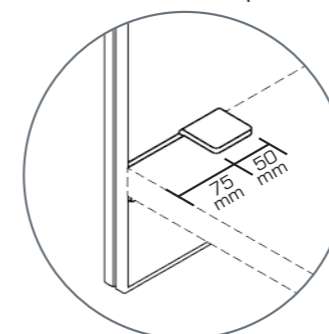


A multitude of organisation accessories is available for the V28 Organizer range. The connection and combination with other elements of the V28 space system leads to an efficient and harmonious result.

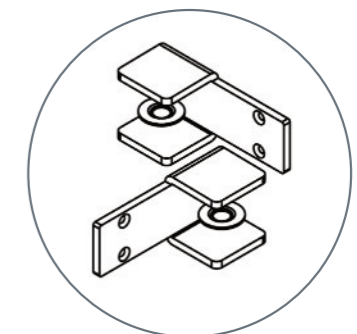
### Technical product specifications



Fixing distance for table top



Fixing clamp set for top thicknesses between 10 - 40 mm



## V28 Duo

Not only as a visual protection but also because of its acoustic aspects being a **class A planar absorber**, V28 Duo is unbeatable.

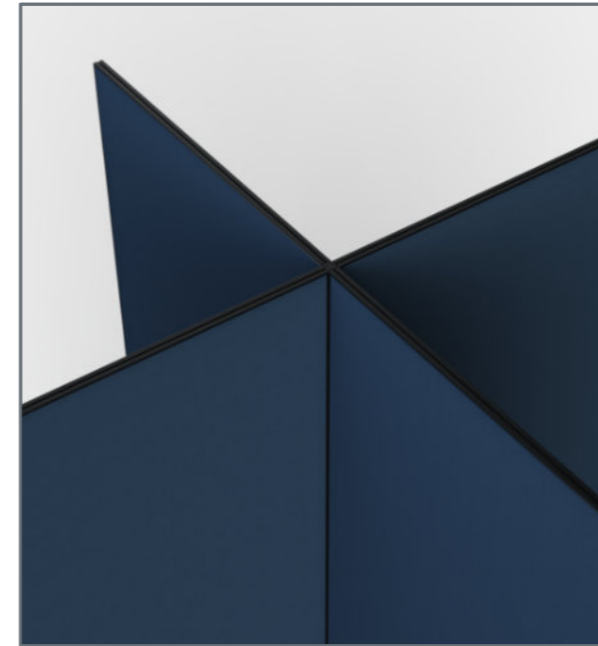


The V28 space system not only fulfils the requirements of individual workstation Layouts but also offers an ideal solution for back to back configurations. As all other V28 variants, V28 Duo comes with a wide range of organisation tools.

For all standard Veyhl back to back platform configurations, we offer the right V28 Duo solution, with adapted screen heights, widths and clamping devices.

## V28 Linking

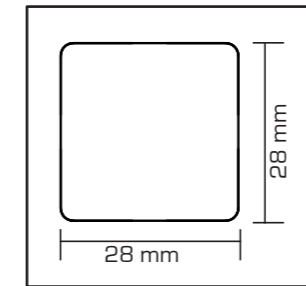
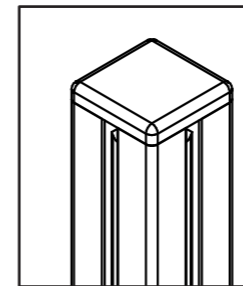
The clever V28 linking technique makes it easy to connect screens and to combine them into endless configurations.



Form and function were key aspects in the design of the V28 linking elements. The aesthetically appealing Linking column of the V28 space system offer a wide scope of configuration possibilities. The easy and quick assembly is a strong asset of the system.

The vast choice of profile and fabric colours allow for attractive and customised solutions.

### Technical product specifications

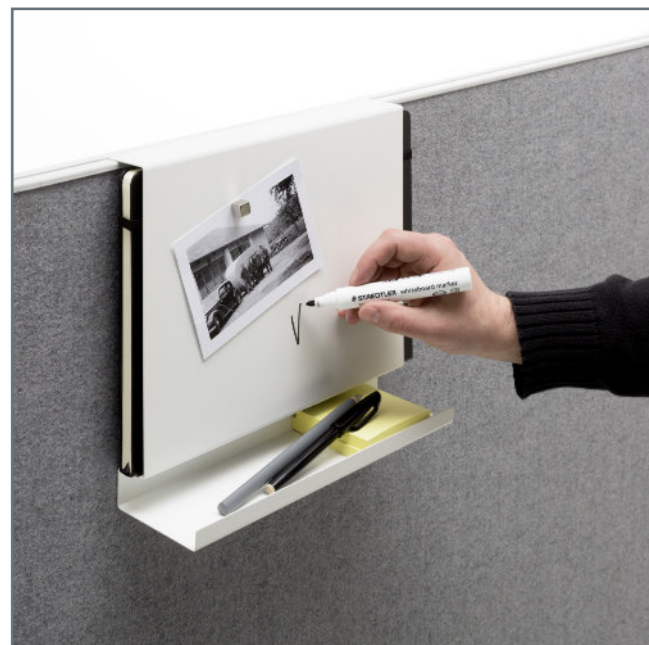


#### Connecting column

The connecting column can be used for linear, 90° L-shaped, T-shaped or even X-shaped connections for up to 4 Screens.

# V28 Accessories

The V28 accessories enable the individual organisation of the workplace, are place-saving and suitable for all V28 elements.



V28 accessories are directly hooked into the aluminium profile and therefore their positioning can be freely selected.

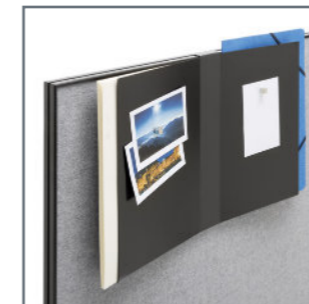
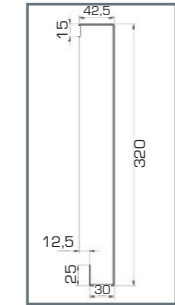
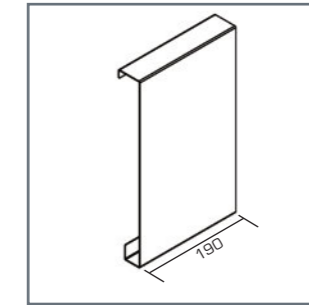
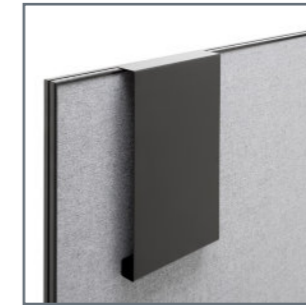
Whether paper or stationary, the V28 accessories offer the right solution for every requirement – even a tablet computer can be neatly stowed.

### Whiteboard-compatible accessories

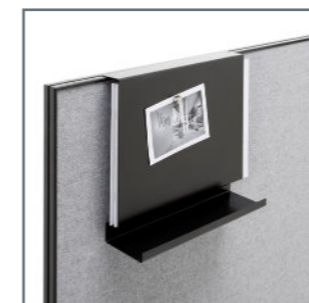
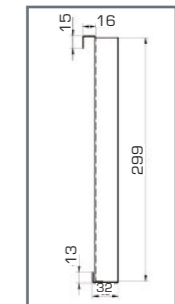
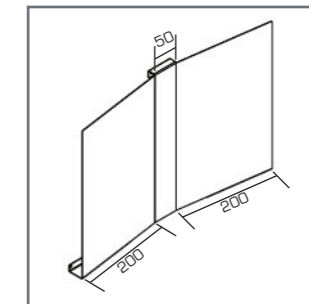
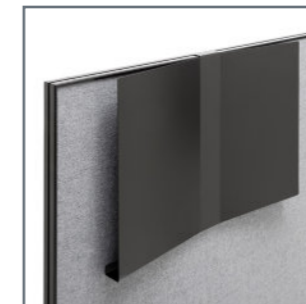
The application of a whiteboard-compatible coating makes it possible to write on the V28 accessories. Furthermore all accessories can be used as a magnet board.



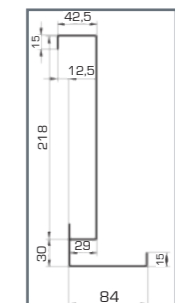
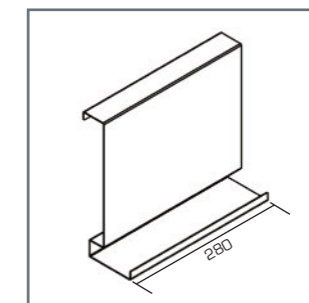
1) A4 storage high



2) A4 double storage



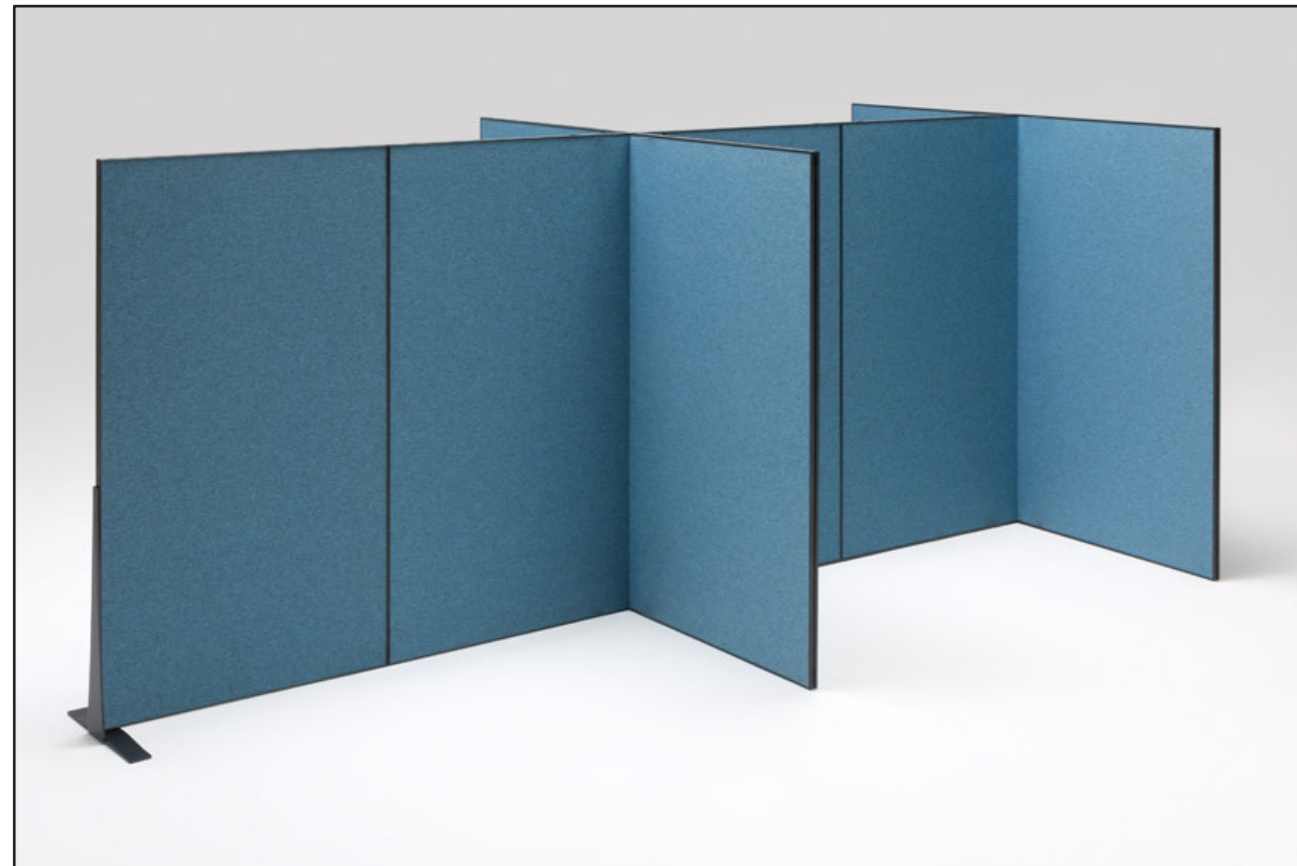
3) A4 storage sidewise





# V28 - Finishes and fabric variants

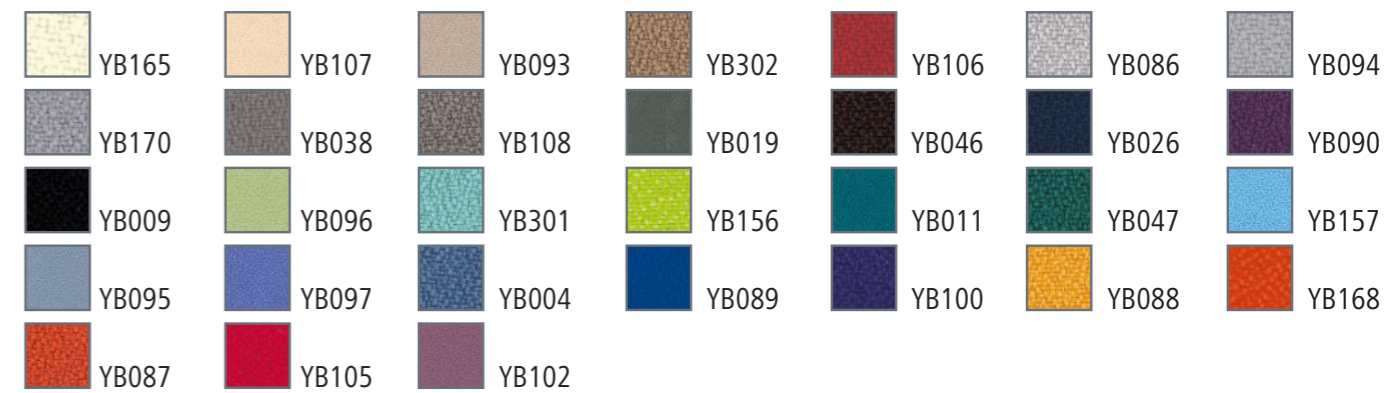
The acoustic modules come with powder coated aluminium profiles and the multiple padding variants offer a vast choice.



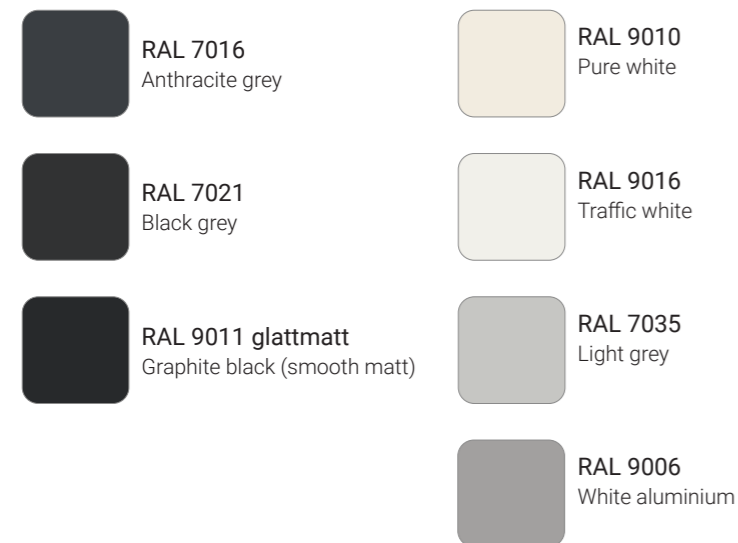
## Fabric: ERA-170



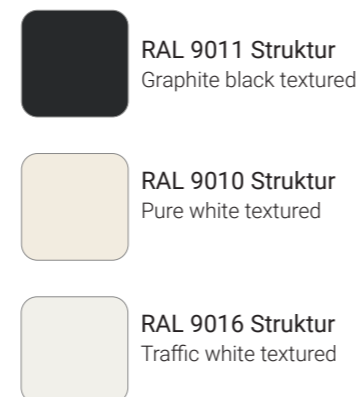
## Fabric: Lucia



## Aluminium profile and accessory colours



## Additional Accessory colours



As experience has shown, scanned finishes don't reflect the brilliance and surface texture of the original. Please ask us for original samples. Customary colour variations are standard.

# Veyhl - Intersectoral metal competence

Whether development partner or contract manufacturer: Veyhl offers the solution.



In Zwerenberg, a small village in the Black Forest, Veyhl manufactures and develops metal components and complex product ranges with a team of over 520 employees.

Since its **foundation in 1951**, the medium-sized supplier grew steadily and today supplies customers of different sectors worldwide. The competence spectrum ranges from the development, design and engineering of products to batch production and assembly. Since 2004 Veyhl GmbH is part of the Northwest Industrie Holding. To date Veyhl is also established all over the world.

## System supplier of the office furniture and home furniture industry

Being one of the market-leading companies in the range of ergonomics and acoustics, Veyhl is in particular a system supplier for the office and home furniture industry.

The product portfolio ranges from fixed height and sit/stand desk systems to solutions in the area of acoustics and space. Besides this, customers of the agricultural, automotive, medical or photovoltaics sectors also benefit from the development and production competences of the company.



## Value orientated and wasteless working

Veyhl operates in a flexible and customer orientated way. Veyhl is a company with a long tradition, based on a corporate culture of openness, flexibility and team work and aligning the daily work with the principles of the Lean and Kaizen philosophy.

**Veyhl** GmbH

Schwarzwaldstr. 2-8  
75389 Neuweiler

Fon +49 (0) 70 55 18 0  
Fax +49 (0) 70 55 18 180

[info@veyhl.com](mailto:info@veyhl.com)  
[www.veyhl.com](http://www.veyhl.com)  
V 05.2024